

A modern, multi-story building with large glass windows and a dark facade is illuminated from within, set against a dark blue night sky. The building is superimposed on a faint world map. In the corners, there are blue, glowing network graphics consisting of interconnected nodes and lines.

**WE'RE NOT DEVELOPING
STANDARDS - WE'RE
DEVELOPING THE FUTURE.**

μ-THINKING®. Great things always start in detail.

www.sterman.de

STERMAN®

STERMAN TECHNISCHE SYSTEME

"TOGETHER WE CREATE MODERN PRODUCTION TECHNOLOGY FOR THE INDUSTRIAL MANUFACTURING OF THE FUTURE."

Johannes & Peter Sterman, managing partner of the family owned business



μ-THINKING®

100 %
FAMILY OWNED



> 10 % DEVELOPMENT QUOTA OF SALES

60
EMPLOYEES



3500 m² DEVELOPMENT AND PRODUCTION AREA

>85 %
VERTICAL RANGE OF MANUFACTURE



90 % OF ALL PROJECTS ARE SUBJECT TO CONFIDENTIALITY AGREEMENT

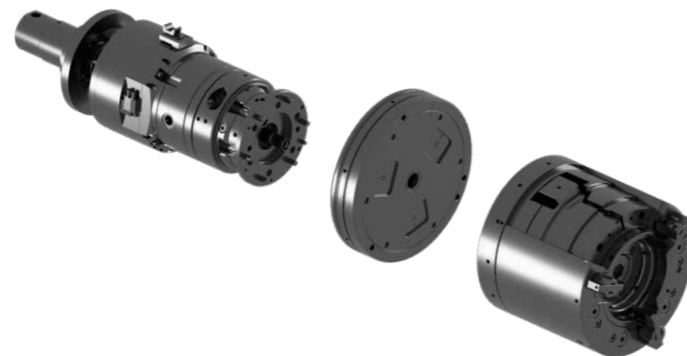
16
REGISTERED PATENTS AND INDUSTRIAL PROPERTY RIGHTS



SUSTAINABLE
DIN ISO 9.001 and DIN ISO 14.001 certified



CUSTOMIZED SPINDLE COMPONENTS AND CLAMPING SOLUTIONS FOR YOUR BUSINESS.



Scan the QR code and go directly to the homepage.

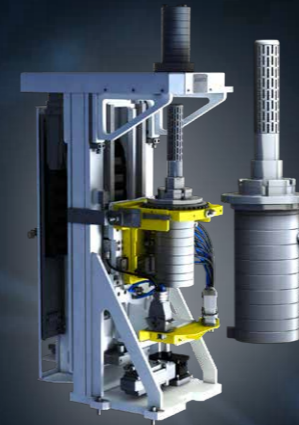


μ-THINKING®. Great things always start in detail.

CLAMPING



FIXTURES



MACHINES



CUSTOMIZED & SMART SOLUTIONS

MADE IN
BLACK FOREST

STERMAN®

TOGETHER WE`RE CREATING PRODUCTION TECHNOLOGY FOR FUTURE INDUSTRIAL MANUFACTURING.

We rank among the top quality and technology leaders in the special field of clamping technology and equip numerous renowned companies operating worldwide with highly precise, efficient and smart solutions for their production.



represented by:
AUTOSYZ International LLC
110 Traders Cross
Bluffton, SC 29909
United States of America

Martin Zeller
(+1) 239 326 3030
martin.zeller@sterman.de



STERMAN
Technische Systeme GmbH
Am Tannwald 10
78112 St. Georgen, Germany
T +49 7725 91488-30



represented by:
**Xu Dai Man Consulting
Management (Shanghai) Co. Ltd**
Zhenchen Road 1000
Shanghai 200444
P.R. CHINA

Li Zhou 周立
(+86) 1300 3282 601
li.zhou@sterman.de